

AC-73 / AC-72 / AC-71 Force Balance Accelerometer

Features

- True Electro-mechanical Force Balance Accelerometer
- Dynamic Range 165 dB
- User selectable Full Scale range $\pm 0.5, 1, 2, 3$ or $4 g$
- Bandwidth from DC to 200 Hz
- Exemplary Offset stability
- Temperature and drift compensation
- Robust suspension system
- Single Bolt Mounted Enclosure with up to $\pm 10^\circ$ of Leveling Adjustment
- Integrated Bubble Level

Applications

- Broadband Seismic, Earthquake and Structural measuring and monitoring



Outline

The AC-73 sensor package is a true electro-mechanical triaxial downhole accelerometer designed for broadband earthquake monitoring and applications requiring highly sensitive and rugged sensors with minimum maintenance and a simple method for periodic testing.

The rugged mass suspension moving coil system improves the signal to noise ratio. The magnetic system and capacitive position sensors offer symmetrical controls for the accurate electronic centring of the mass. At rest the accelerometer mechanism is in balance and no electrical output is generated.

In case of a ground motion, AC-73 yields an electrical output proportional to the current used to keep the mass centred. This output signal is precisely calibrated to provide a signal at the utmost accuracy and with a lowest possible noise level. The symmetrical positioning system incorporated with the force balance accelerometer principle, the accelerometer faithfully keeps its scaling and calibration even under extreme conditions.

The DC response allows the sensor to be easily repaired, tilt tested or recalibrated in the field. With the help of the test line the AC-73 accelerometer can be completely tested assuring proper operation and accurate acceleration measurement. This test line is internally connected to the external world only when a given command is sent to the sensor to avoid any noise pick-up through the test input.

The AC-73 is equipped with electronic offset adjustment features that make its installation very user friendly. This powerful feature allows the users to install the AC-73 without mechanical offset adjustment and fine levelling.

The sensor can be powered from 9.5 to 18 VDC source with the advantage that its power input is insulated from the sensor's electronic ground. This avoids ground loops and reduces noise induced through the power supply.



Specifications AC-7x

General Characteristics

Configurations:

AC-73 or AC-73i*:

AC-72-H or AC-72i-H*:

AC-72-V or AC-72i-V*:

AC-71-H or AC-71i-H*:

AC-71-V or AC-71i-V*:

	Triaxial	Biaxial	Uniaxial	Axes X-Y-Z	Alignment** H-H-V
AC-73 or AC-73i*	■			X-Y-Z	H-H-V
AC-72-H or AC-72i-H*		■		X-Y	H-H
AC-72-V or AC-72i-V*		■		X-Z	H-V
AC-71-H or AC-71i-H*			■	X	H
AC-71-V or AC-71i-V*			■	Z	V

* i : Internal sensor ** H: Horizontal, V: Vertical

Full Scale Range: ± 2 std., ± 0.5 , 1, 3 or 4 g
user selectable at field

Sensor Element

Type: True Electro-mechanical
Force Balance Accelerometer

Dynamic Range: 165 dB (per bin rel. full range)
156 dB (per bin rel. full scale rms)
134 dB (0.02 – 50 Hz, integrated PSD)

Nonlinearity: < 0.1 %

Cross Axis Sensitivity: < 0.5 %

Bandwidth: DC to 200 Hz

Damping: 0.7 ± 0.1 critical

Offset Drift: 0.0005 g / °C

Span Drift: 200 ppm / °C

Full Scale Output: 0 ± 10 V differential (20 Vpp)

Hysteresis: < 0.001 % of full scale

Sensitivity: 2.5 to 20 V/g

Output impedance: 100 ohms

Power

Supply Voltage: 9.5 to 18 VDC, single supply

Consumption: 55 mA @12 V

Connector: Metallic, Shielded, IP67, 12 pins, male

Overvoltage Protection: All pins are protected

Connector Pin Configuration

Pin 1-2, 3-4, 5-6: Signal output for axis X, Y, Z

Pin 7-8: Test input, Digital 0/12 V / GND

Pin 9-10: 12 VDC insulated power supply input

Pin 11-12: Reserved

Case: Shield connection

Environment/Housing

Housing Type: Cast aluminium
Sealed access cover

Housing Size: 195 x 112 x 96 mm

Weight: 3.0 kg

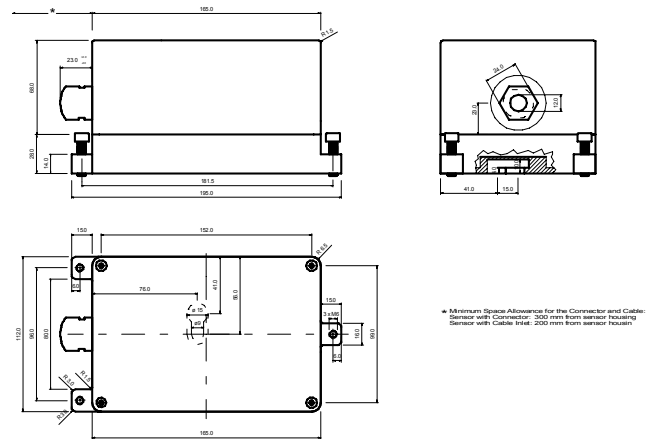
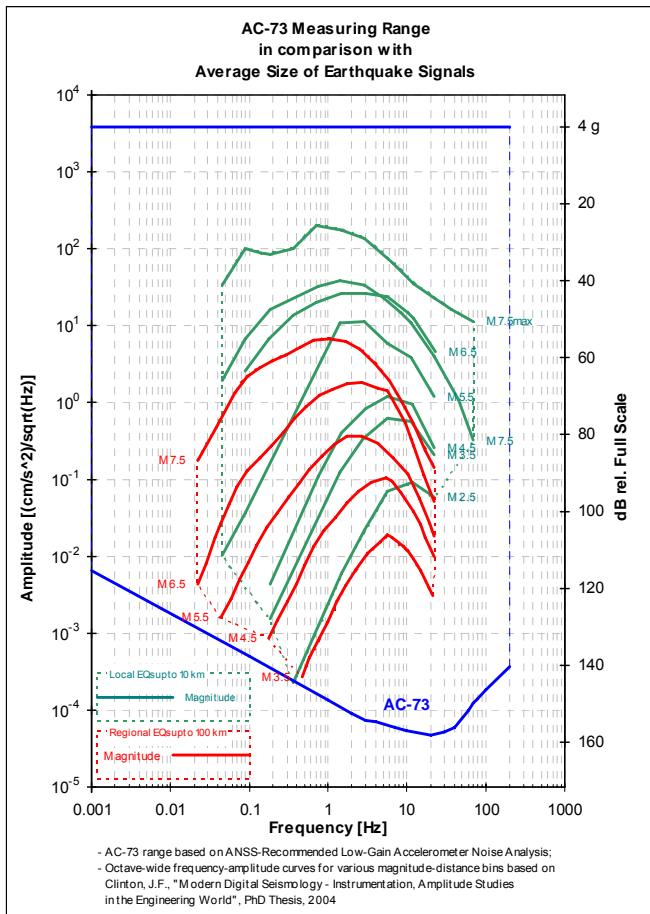
Index of Protection: IP 65
optional IP 68

Temperature Range: -20 to 70 °C (operating)
-40 to 75 °C (non-operating)

Humidity: 0 to 100 % (non-condensing)

Orientation: Can be configured for mounting in any position (please specify at order).

Mounting: Single bolt, surface mount, adjustable within $\pm 10^\circ$



The text on this image is best readable on the digital document

Standard AC-7x

Floor mounted, Full scale ± 2 g,
2 m cable with cable inlet and GeoSIG
recorder mating connector, concrete anchor
and user manual on CD

Options

Full Scale Output: - 0 to 20 mA current loop

Cable & connector: - Frame connector (no cable inlet)
- Mating connector (for frame connector)
- Cable with shielded twisted pairs for any length with open end
- Connector on user specification mounted at cable end
- See separate cable & connector options sheet

Housing: - Watertight IP68 housing
- Stainless steel protective housing

Mounting: - See separate sensor orientation options sheet

Ordering Information

Specify: Type of AC-7x, full scale range, and other applicable options